



For Security
Vari-Focal

YV2.7×2.9LR4A-SA2

Applicable camera (model)

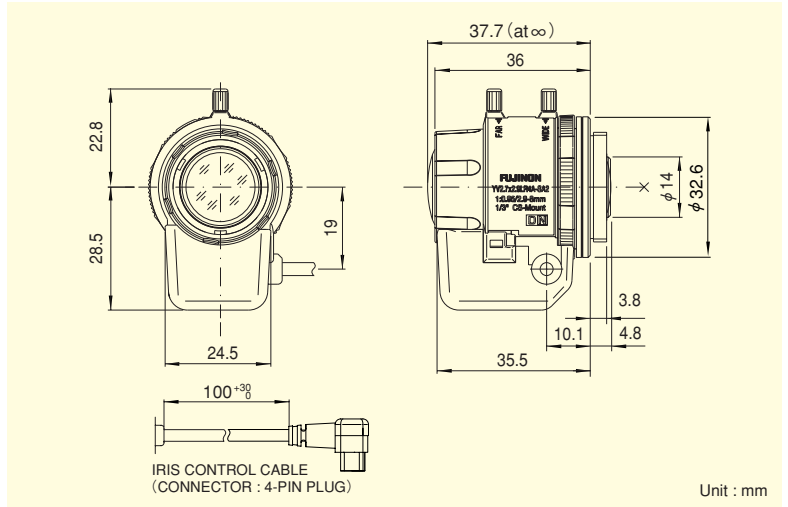
1	2/3	1/2	1/3	1/4
---	-----	-----	-----	-----

2.7x



VARI Vari-Focal	WIDE Wide Angle	Day~Night Day & Night	DC DC Auto Iris	CS-mt CS Mount	METAL Metal Mount	ND ND Filter
				230 Long Cable	AT Aspherical Lens	F0.95 Wide Aperture Rate

- Advanced design engineering and special optic glass adopted, best suited for color, monochrome and day and night cameras
- Unparalleled brightness at the maximum aperture of F0.95, optimizing the performance at low lighting intensity
- Super wide angle spec, WIDE2.9mm, achieving the horizontal field angle of 94 degrees (when used on 1/3 cameras)
- Compact and lightweight design, best suited for the use with dome cameras
- High accuracy aspheric lens adopted, achieving the high quality image



VARI-FOCAL LENSES

Focal Length (mm)		2.9~8 (2.7x)	
Iris Range		F0.95 ~ T360 (Equivalent to F360)	
Operation	Zoom	Manual	
	Focus	Manual	
Angle Of View (H×V)	1/3"	WIDE	94°39' × 69°29'
		TELE	35°13' × 26°22'
	1/4"	WIDE	69°29' × 51°29'
		TELE	26°22' × 19°46'
Focusing Range (From Front Of The Lens) (m)		∞ ~ 0.3	
Object Dimensions at M.O.D. (H×V) (mm)	1/3"	WIDE	671 × 428
		TELE	196 × 145
	1/4"	WIDE	428 × 298
		TELE	145 × 107
Back Focal Distance (in air) (mm)		7.7	
Exit Pupil Position (From Image Plane) (mm)		71	
Filter Thread (mm)		—	
Mount		CS	
Mass (g)		45	
Coil Resistance		Drive Coil	200Ω
		Damping Coil	720Ω
Current Consumption		22mA (Max.) at DC 4V	
Remarks		<ul style="list-style-type: none"> • With Metal Mount (*1) When power is turned off, iris will automatically be closed. YV2.7×2.9LR4A-SA2L : Long Cable Type (230mm)	

